

Fig. 10.1. Binary detour-phase hologram: (a) the hologram; (b) the reconstructed image [Lohmann & Paris, 1967].

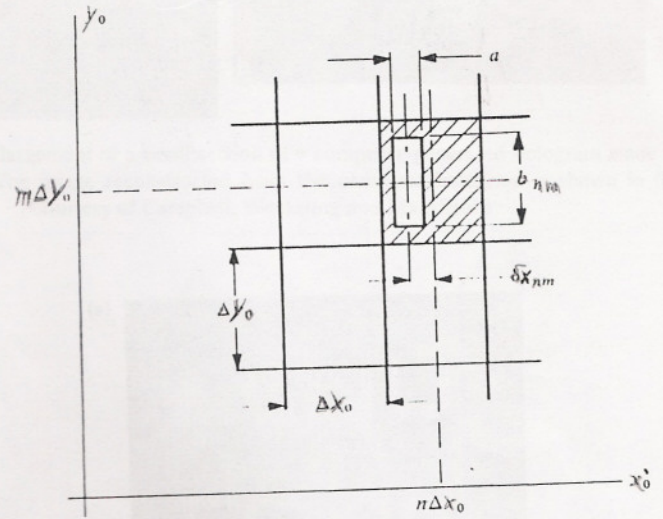
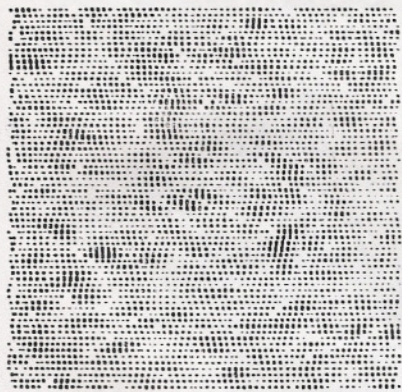


Fig. 10.3. Typical cell in a binary detour-phase hologram.

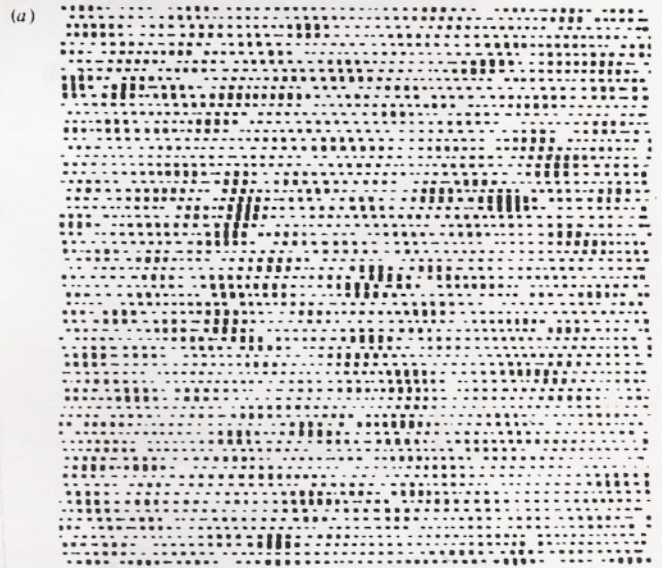


(a)



(b)

FIGURE 9.42
(a) Binary detour-phase hologram.
(b) image reconstructed from the hologram. [Courtesy of A. Lohmann & Paris, Copyright 1969 by International Business Machines Corporation. Reprinted with permission of the publisher.]



(a)

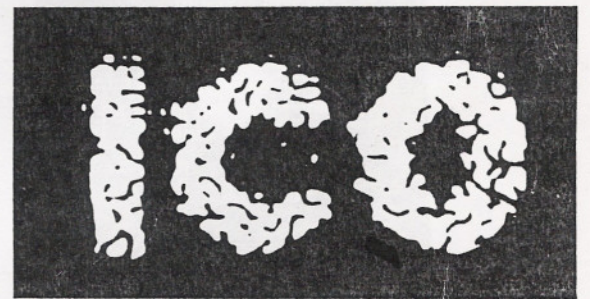


Fig. 10.6. Simulation of illumination through a diffuser (object with random phase): (a) the hologram; (b) the reconstructed image [Lohmann & Paris, 1967].